



Unit C, 9/F, Candy Novelty House, No.164 Wai Yip Street,
Kwun Tong, Kowloon, Hong Kong
Tel: (852) 21112191 Fax: (852) 21109990
E-mail: sales@microsonic-technology.com

SPECIFICATION FOR APPROVAL ROHS

ITEM	57MM SPEAKER
OUR PART NO.	MSS-57M-102A
CUSTOMER	
CUSTOMER PART NO.	
DATE	
APPROVED BY	



Unit C, 9/F, Candy Novelty House, No.164 Wai Yip Street,
 Kwun Tong, Kowloon, Hong Kong
 Tel: (852) 21112191 Fax: (852) 21109990
 E-mail: sales@microsonic-technology.com

1. SPECIFICATION

Size	Contour 57 mm	Total Height	8.4mm
No.	Item	Specification	Testing Condition
1.	Rated Imp	8ohm±15%	At 1 kHz 1.0V
2.	Resonance Freq	350Hz±20%	Without Baffle
3.	Output S.P.L.	84±3dB	At 1m 1W 600, 800, 1K, 1.2KHz Average
4.	Input Power	Rated Power 0.25W	Max Power 0.5W
5.	Frequency Range	F0----12KHz	Output S.P.L. -10dB
6.	Operation	Must Be Normal	Program Source 0.25W
7.	Buzzes & Rattles	Must Be Normal	Sin Wave 1.41V, F0-12KHz
8.	Distortion	5% Max	Rated Power Input 1000Hz
9.	Magnet	Size: Ø12.5 x 1.5mm N35 Weight: -----	
10.	Operating Temperature	-20°C to +50°C	
11.	Storage Temperature	-30°C to +60°C	
12.	Weight	Approx. 17.6g/pc	



Unit C, 9/F, Candy Novelty House, No.164 Wai Yip Street,
 Kwun Tong, Kowloon, Hong Kong
 Tel: (852) 21112191 Fax: (852) 21109990
 E-mail: sales@microsonic-technology.com

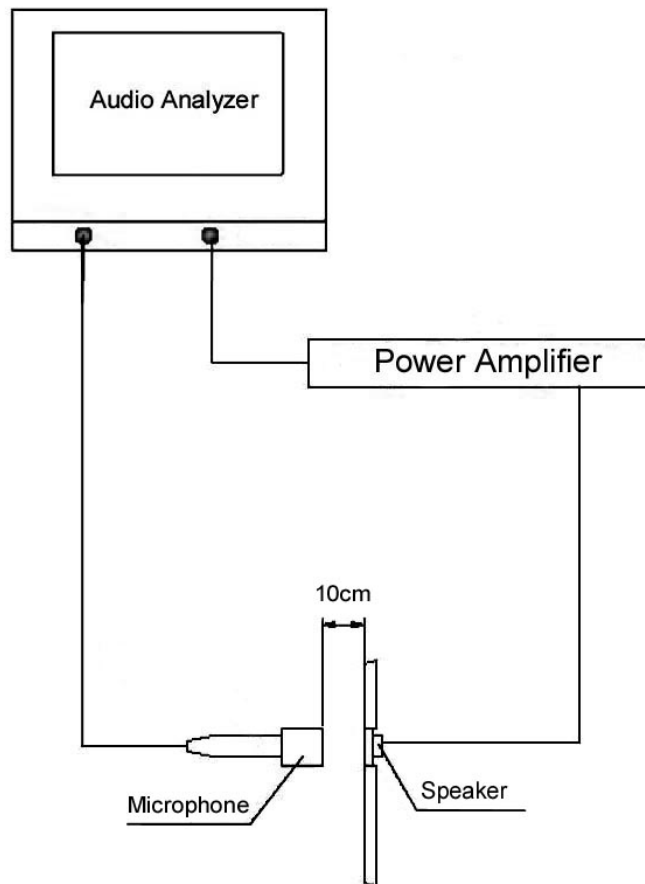
2. RELIABILITY TEST

a.	Load Test	At rated power white noise is applied for 96 hours .
b.	Heat Test	After having been in a test chamber for 96 hours at the condition of $+60^{\circ}\text{C} \pm 3^{\circ}\text{C}$ and then left 3 hours in a room.
c.	Cold Test	After having been in a test chamber for 96 hours at the condition of $-20^{\circ}\text{C} \pm 3^{\circ}\text{C}$ and then left 3 hours in a room.
d.	Humidity	After having been in a test chamber for 96 hours at the condition of $40^{\circ}\text{C} \pm 3^{\circ}\text{C}$ 90~95% R.H and then left 6 hours in a room.
e.	Drop Test	Drop the speakers contained in normal box onto a board 5mm thick 2 times from a height of 0.75m .
f.	Polarity	When a positive D.C current is applied to the voice terminal marked + or red, the diaphragm shall move forward.



Unit C, 9/F, Candy Novelty House, No.164 Wai Yip Street,
 Kwun Tong, Kowloon, Hong Kong
 Tel: (852) 21112191 Fax: (852) 21109990
 E-mail: sales@microsonic-technology.com

3. MEASUREMENT METHOD

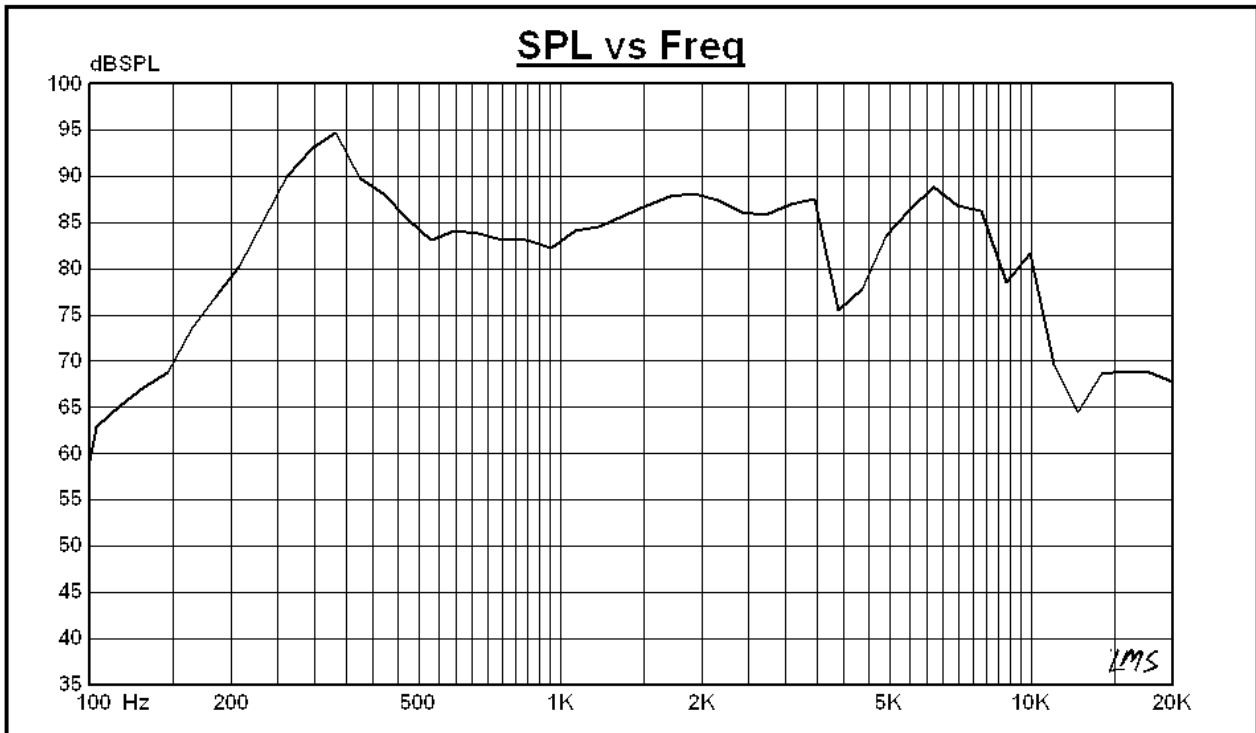


Testing Method	
Item	Testing Condition
1. Testing Power	0.1W
2. Testing Frequency Range	From 100Hz to 20KHz
3. Distance(D)	0.1Meter



Unit C, 9/F, Candy Novelty House, No.164 Wai Yip Street,
Kwun Tong, Kowloon, Hong Kong
Tel: (852) 21112191 Fax: (852) 21109990
E-mail: sales@microsonic-technology.com

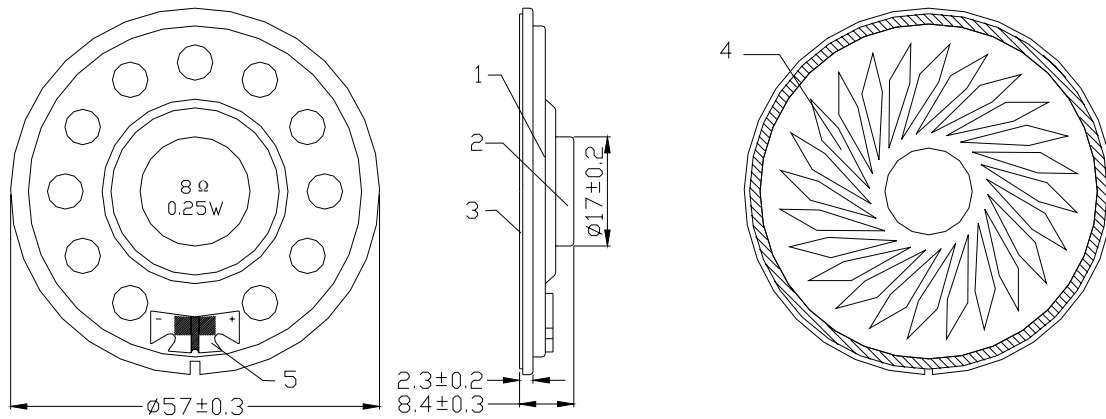
4. STANDARD FREQUENCY RESPONSE CURVE





Unit C, 9/F, Candy Novelty House, No.164 Wai Yip Street,
 Kwun Tong, Kowloon, Hong Kong
 Tel: (852) 21112191 Fax: (852) 21109990
 E-mail: sales@microsonic-technology.com

5. PRODUCT VIEW (unit : mm)

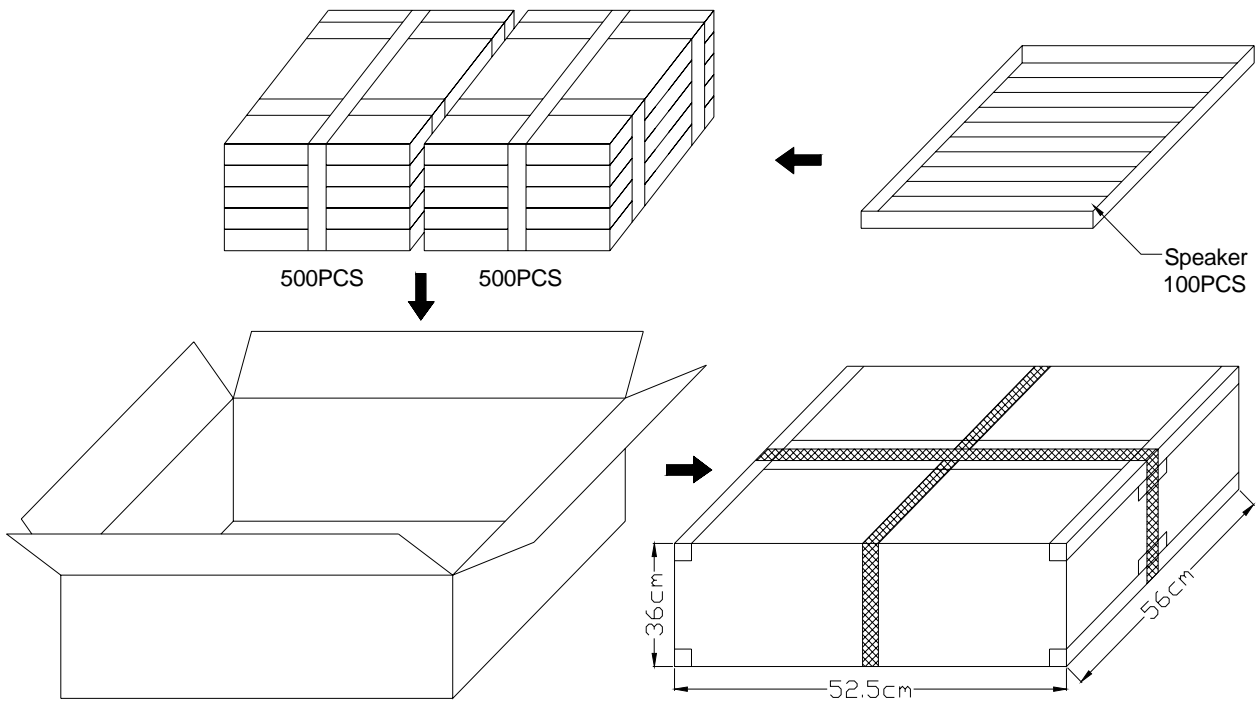


PART NO.	PART NAME	MATERIAL
1	Frame	Metal
2	Plate	SPCC0.8
3	Gasket	Paper
4	Diaphragm	Mylar
5	Terminal	Glass Epoxy



Unit C, 9/F, Candy Novelty House, No.164 Wai Yip Street,
Kwun Tong, Kowloon, Hong Kong
Tel: (852) 21112191 Fax: (852) 21109990
E-mail: sales@microsonic-technology.com

6. PACKING INFORMATION



NOTE:
1000PCS/BOX